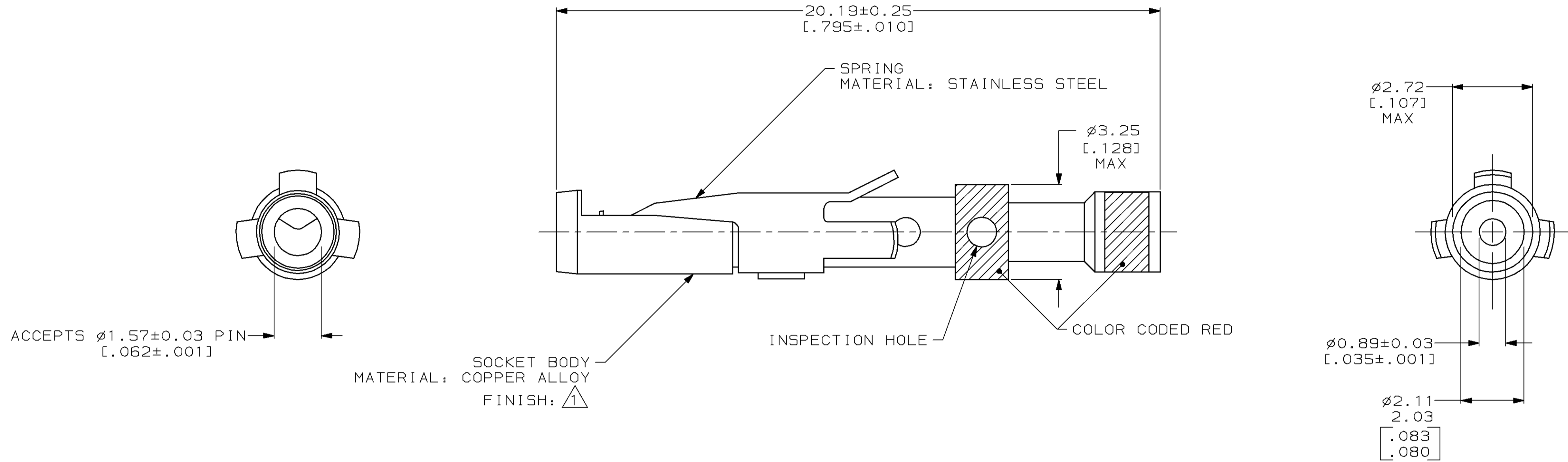


THIS DRAWING IS UNPUBLISHED. RELEASED FOR PUBLICATION
 BY AMP INCORPORATED. ALL RIGHTS RESERVED.

Loc		DIST		REVISIONS			
P	LTR	DESCRIPTION		DATE	DWN	APVD	
FT	8	U		REDRAWN W/O CHANGE PER EC 0320-98-96	20 NOV 97	-	-



ACCEPTS $\phi 1.57 \pm 0.03$ PIN
 $[.062 \pm .001]$

SOCKET BODY
 MATERIAL: COPPER ALLOY
 FINISH: $\Delta 1$

INSPECTION HOLE

COLOR CODED RED

$\Delta 1$ 0.76µm [0.00030] MIN GOLD OVER 1.27µm [0.00050] MIN NICKEL.

201332-1
 PART NUMBER

THIS DRAWING IS A CONTROLLED DOCUMENT.		DWN B. CARBO 20 NOV 97	AMP Incorporated Harrisburg, PA 17105-3608	
DIMENSIONS: mm [INCHES]		CHK R. STONE 09 DEC 97	NAME G. STEINHAUER	
TOLERANCES UNLESS OTHERWISE SPECIFIED:		APVD G. STEINHAUER 16 DEC 97	PRODUCT SPEC	
0 PLC ±-		APPLICATION SPEC		
1 PLC ±-		WEIGHT		
2 PLC ±0.13 [0.005]		SCALE 10:1 SHEET 1 OF 1 REV U		
3 PLC ±-		CUSTOMER DRAWING		
4 PLC ±-		RESTRICTED TO		
ANGLES ±-		SIZE CAGE CODE DRAWING NO		
FINISH		A2 00779 C= 201332		
SEE CALLOUTS		SEE CALLOUTS		

201332